



**HÖUM®**  
**VENTILATION FAN**  
 Ceiling Mounted

**SV SERIES**

**3 YEARS WARRANTY**

Powered By

**DC MOTOR**  
 ENERGY SAVING

\*\*3 years warranty for all ventilator model T&C apply.  
 \*Image are for illustration purpose only and may differ from actual products.  
 \*All specification are subject to change without prior notice.

# HÖUM®

SV SERIES

## Ventilation Fan | Features



### Powerful Motor

**DC MOTOR**  
ENERGY SAVING



More than 50% lower power consumption with DC Motor operation.

### Low Noise Operation

BREATHING SOUND <b>10 dB</b>	<b>SV-90DC</b>   <b>SV-120DC</b> WHISPERING SOUND <b>40-43 dB</b>	NORMAL CONVERSATION <b>60 dB</b>
---------------------------------	---	-------------------------------------



**Strong & Powerful Airflow**  
Designed with a powerful 120CFM to deliver superior airflow levels.

### Anti Backdraft Design

Self reversal wind shield prevent insects from returning.

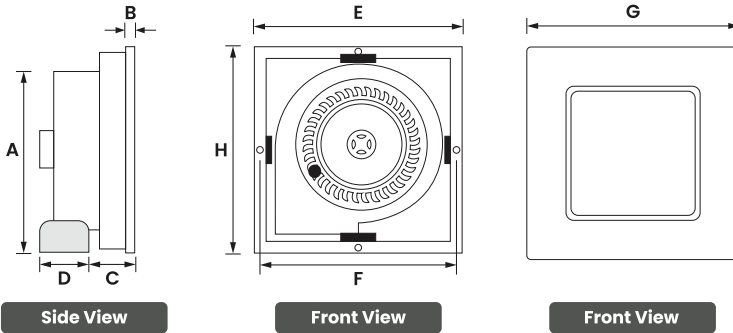


\*Image are for illustration purpose only and may differ from actual products.

# Specification

<b>Model</b>	<b>SV-90DC</b>	<b>SV-120DC</b>
<b>Power Consumption</b>	12W	20W
<b>Motor Speed</b>	1,300 RPM	1,250 RPM
<b>Air Flow</b>	95 CFM	125 CFM
<b>Noise Level</b>	40 dB	43 dB
<b>Front Panel</b>	270 x 270 mm	310 x 310 mm
<b>Mounting Hole Size</b>	245 x 245 mm	265 x 265 mm
<b>Weight</b>	1 Kg	1.2 Kg
<b>Motor Type</b>	DC Motor	
<b>Panel Color</b>	Silver & White	
<b>Installation Type</b>	Ceiling Mounted	
<b>Warranty</b>	3 Years	

# Line Drawing



MODEL	A	B	C	D	E	F	G	H
<b>SV-90DC</b>	204	18	46	98	267	245	270	227
<b>SV-120DC</b>	240	18	35	98	300	265	310	250

Measurements in millimeter

# Optional Accessories



**HA-LS4P**  
4'' Square External  
ABS Louver



**AA-FD4/10**  
10 meter  
4'' Flexible Hose

# Panel Option

**SV-120DC**



**D2**

**SV-90DC**



**D1**

**D2**

# HÖUM<sup>®</sup>

Transforming Spaces with Quality and Comfort



**Gard Inc. Sdn. Bhd.**

(200901031667)

No. 13, Jalan Budiman, Budiman Business Park,  
Bandar Sungai Long, 43000, Kajang,  
Selangor, Malaysia.

+603 8741 7300

support@gardinc.com

facebook.com/hoummalaysia

houm.asia

instagram.com/houm.asia

2026/V1